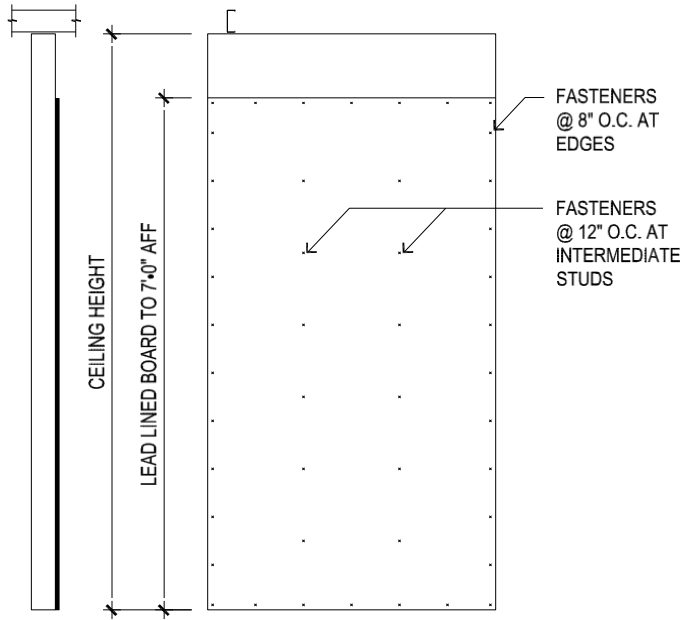
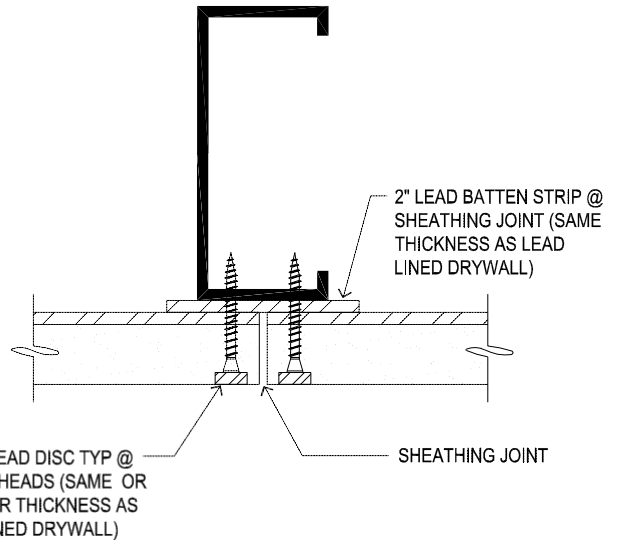


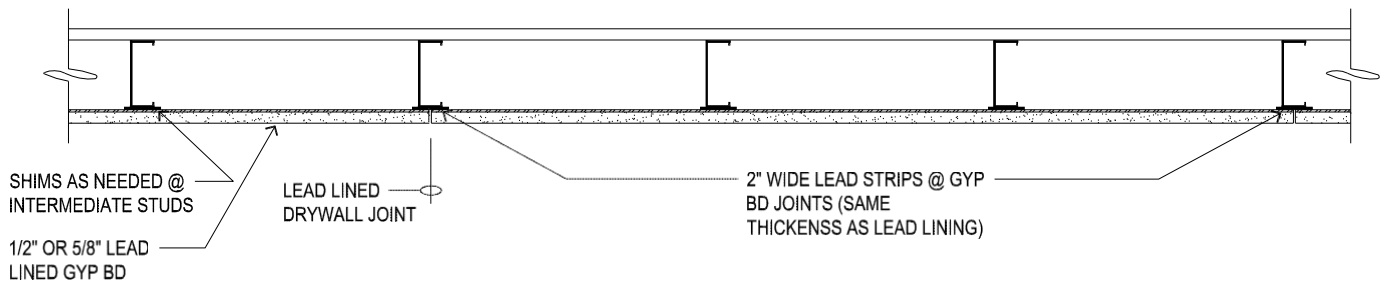
RADIATION SHIELDING LEAD LINED DRYWALL



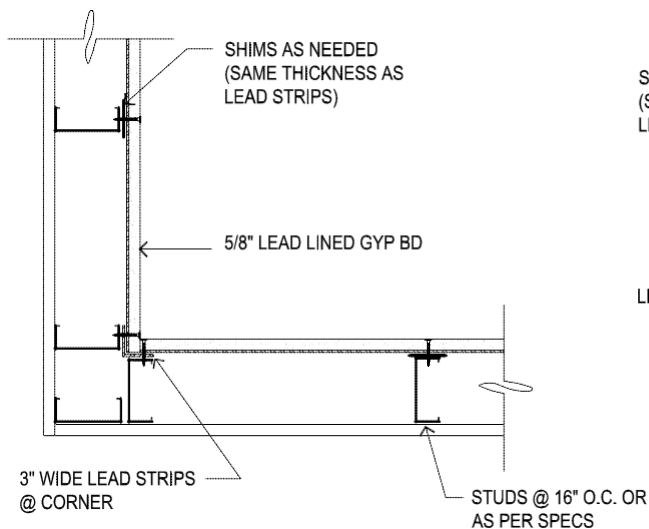
**LEAD LINED GYPSUM BOARD
TO HEIGHT INDICATED**



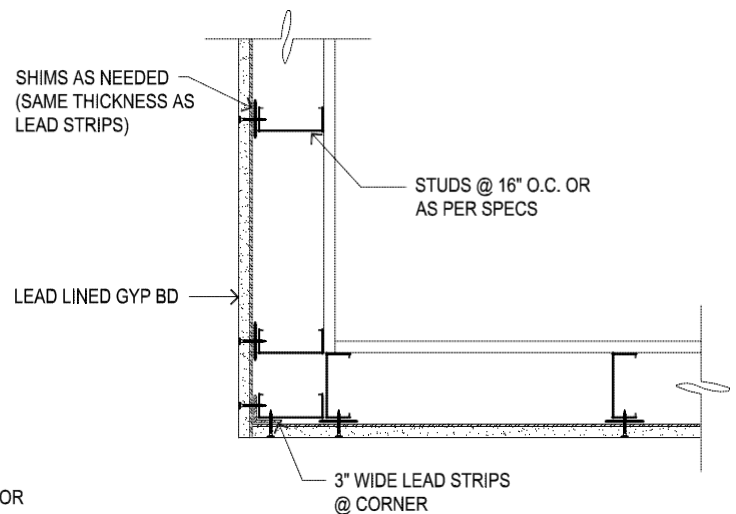
**TYPICAL JOINT
DETAIL**



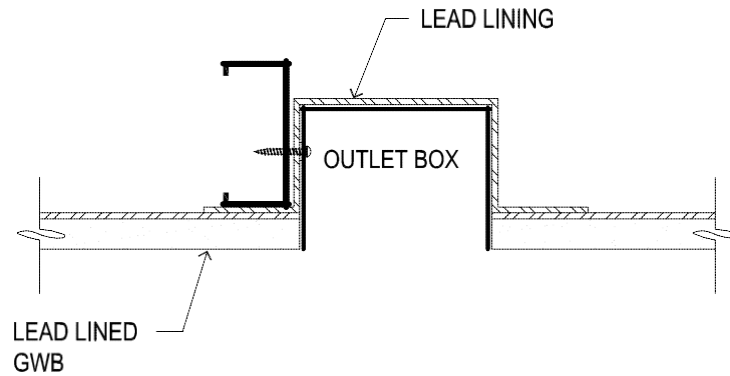
WALL DETAIL



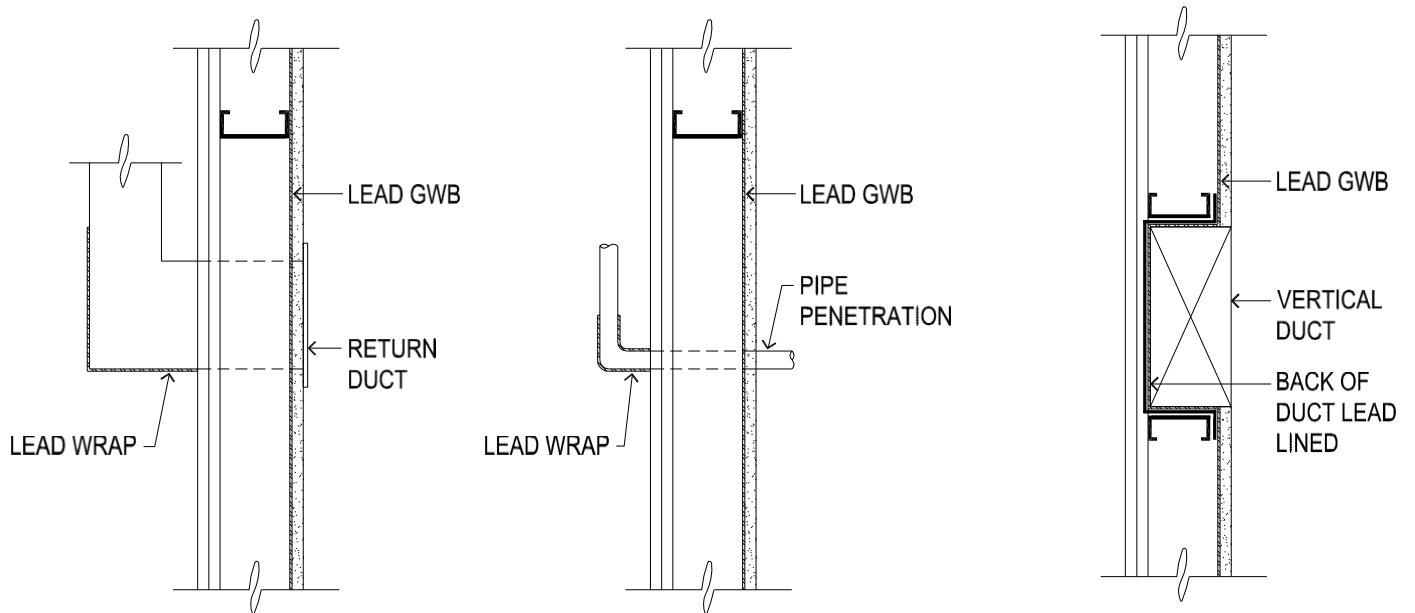
INSIDE CORNER STUDS



OUTSIDE CORNER STUDS



LEAD FOR OUTLET BOXES AND
SWITCH BOXES



THRU DUCT WRAP

TYP PIPE WRAP

WALL DUCT

RADIATION SHIELDING
LEAD LINED DRYWALL
INSTALLATION INFORMATION



Lead-Laminated Gypsum Board: Single unpierced layer of sheet lead laminated to back of gypsum board.

Lead Lined Drywall (also referred to as Lead Lined Sheetrock or Lead Lined Gypsum) supplied with lead lining bonded to 1/2" or 5/8" drywall.

2" lead batten strips of the same lead thickness and height of lead lined drywall are required to provide the necessary 1" overlap with adjoining Lead Lined Drywall sheets.

5/16" diameter lead discs, same thickness as sheet lead, may be required at screw heads. Lead angle of same thickness lead may be used in place of discs.

3" minimum lead corner batten strips, same lead thickness and height of lead lined drywall, are required for inside and outside corners of wall intersections. This lead is bent on angle to create a 1-1/2" center on both sides of lead.

Screw Fasteners: Type S Bugle Head, length as required.

The Lead Lined Drywall should be fastened at a minimum of 8" on center at the edges of each sheet, and at minimum of 12" on center at the intermediate studs with normal drywall screws.

Comply with manufacturer's recommendations for wrapping electrical outlet boxes, view window frames, and other penetrations through lead barrier material with sheet lead to provide radiation protection to levels indicated or levels required to match adjacent wall protection.

Wherever lead protection is penetrated, cut, or punctured, assure continuity of shielding by use of sheet lead (same thickness as sheet lead), lead plugs or other approved method.

Install sheet lead lining within steel door frames to provide radiation protection to levels indicated or levels required to match adjacent wall protection.