



TWO-PIECE SLIP FRAME

The custom steel two-piece slip frame is an ideal substitute for the traditional knock-down borrowed light application. With this two-piece slip frame, any existing rough opening can be wrapped with a welded 4-sided frame. These are made standard as double rabbet, optional single rabbet, or cased open profiles.

To calculate the overall borrowed light frame dimensions:

Width: Add 1 3/4" to the rough opening width.

Height: Add 3" to the rough opening height.

Note: Frames are typically made with 2" faces. The calculations will vary with different face dimensions.

Example: Rough Opening Size: 24" x 48"

Width: $24" + 2 \frac{1}{2}" = 2' - 2 \frac{1}{2}"$ OA

Height: $48" + 3 \frac{1}{2}" = 4' - 3 \frac{1}{2}"$ OA

OR

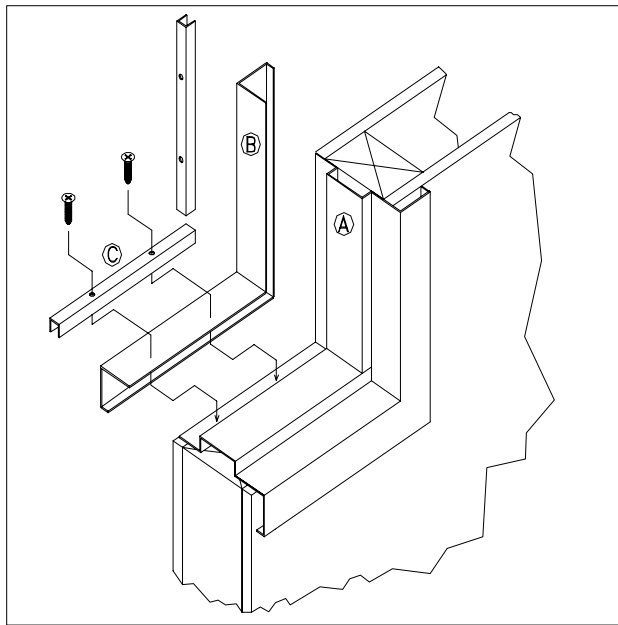
ADD TO GLASS SIZE

1 3/4" to width

3/4" to height

To order you may state either rough opening, the overall size required, or the glass opening size.

INSTALLATION INSTRUCTIONS:



1. Mount larger half of frame (A) in existing opening on opposite side of wall than glass side.
2. Slide smaller half of frame (B) onto the glass side of frame. Piece (B) will overlap piece (A).
3. To hold frame together before glazing, use clamps to apply pressure from both sides of the wall. Then use at least one pop rivet per head, sill, and jambs in the overlapping rabbet to hold the frame in opening. Keep track of glass moulding and package of screws.
4. When ready to mount glass, moulding (C) will secure the glass while the sheet metal screws for the bead will also penetrate the overlap of (A) and (B) thus holding the unit into opening.